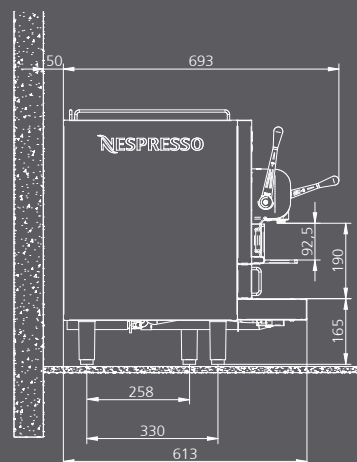
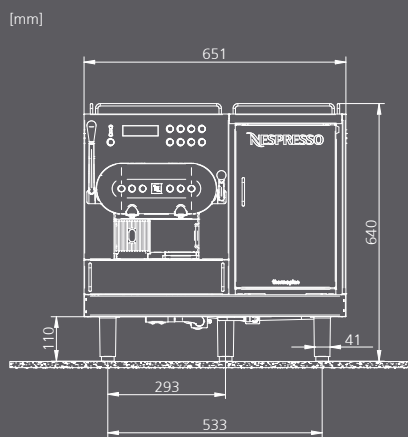


Specifications



Power supply:	220-240 VAC / 50/60 Hz / 3200-3800 W
	380-415 VAC / 50/60 Hz / 4000-4800 W
	200 VAC / 50/60 Hz / 2700 W
	208 VAC / 60 Hz / 3200 W
	220 VAC / 60 Hz / 3200 W

Dimensions: 651 x 693 x 640 mm (L / W / H)

Weight: 75 kg (empty)
90 kg (in operation)

Outlet height standard: 190 mm

Outlet height drip grid: 92.5 mm

Water supply: G 3/8" male

Water supply pressure: 2...4 bar / 30...60 psi

Noise emission: <60 dBA

Indicative maximum product capacity per machine per hour

	EU	US	JP
Ristrettos:	240	240	220
Espressos:	200	200	180
Lungos:	140	120	110
Cappuccinos:	50	45	42
Hot water:	70	70	70

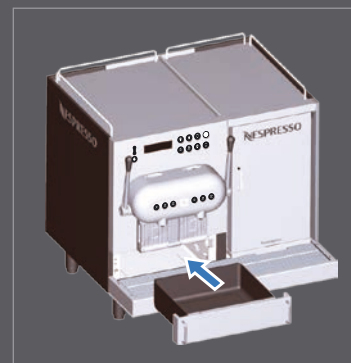
Water supply minimum requirements

Chlorine:	none
TDS:	70 to 200 ppm
Total hardness:	5-8 °dH (8-14 °fH) pH 6.8 to 7.4
Alkalinity:	less than 100 ppm
Iron:	less than 0.25 ppm

Type Plate

The type plate contains the following details:

Machine type:	NESPRESSO PROFESSIONAL Coffee Machine
Model:	AGUILA
Type:	AG220PRO
Voltage:	according to type plate
Power:	according to type plate
Water Pressure:	0.2-0.4 MPa (2-4 bar)
Hydr. Boiler:	1.46 MPa (14,6 bar)
Class:	5
Refrigerant:	134 a
Charge:	55 g
Low Side Pressure:	88 psig
High Side Pressure:	285 psig
Serial Number:	according to type plate
Production Date:	according to type plate



The capsule container must be removed to see the type plate.
The type plate is located beneath the capsule container on the baseplate.

Impressum

Version:	User Manual AGUILA 220 Original user manual
Manufacturer:	Thermoplan AG Thermoplan-Platz 1 CH-6353 Weggis

Service calls: For service calls, please contact your country specific *Nespresso* representative on www.nespresso.com